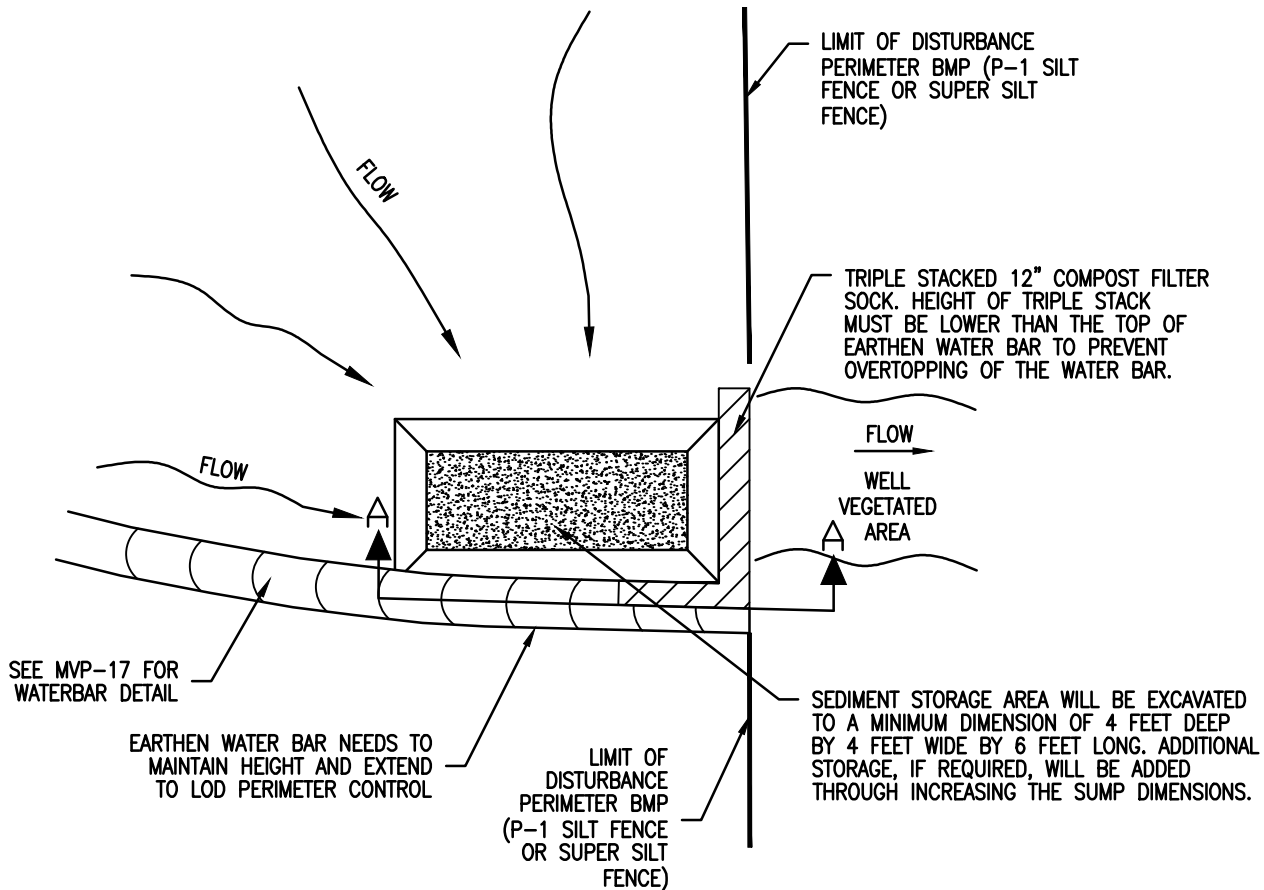
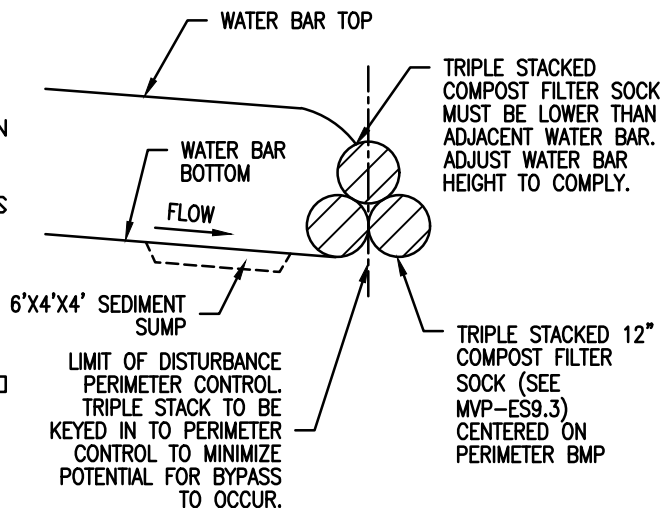


CONDEMNATION



NOTES:

1. SUMP FILTER MAY BE USED IN CONJUNCTION WITH TEMPORARY WATERBAR (AS DIRECTED BY EI/LEI).
2. SUMP FILTER SHALL BE LOCATED ENTIRELY WITHIN THE LIMITS OF DISTURBANCE.
3. BMP SHOULD BE CHECKED EVERY 4 BUSINESS DAYS AND NO LATER THAN 48-HOURS FOLLOWING A MEASURABLE RAINFALL EVENT FOR SEDIMENT ACCUMULATION, PROPER OPERATION, AND COMPOST FILTER SOCK INTEGRITY.
4. ADDITIONAL COMPOST FILTER SOCKS MAY BE NECESSARY BEYOND WHAT IS SHOWN ON DETAIL TO MEET INTENDED BMP REQUIREMENTS.
5. REFER TO MVP-17 SERIES FOR ADDITIONAL SPECIFICATION REQUIREMENTS.



SECTION A-A

DRAWN	JK	DATE	06/16/2020
CHECKED	RE	DATE	06/16/2020
APP'D	DW	DATE	06/16/2020
SCALE	N.T.S.	SHEET	1 OF 1
JOB NO.			
PROJECT ID:			
MVP - VA PORTION			

DESIGN ENGINEERING

ENVIRONMENTAL DETAIL

TYPICAL SUMP FILTER
(CONDEMNATION)

DRAWING NO.	REV.
MVP-ES42	P