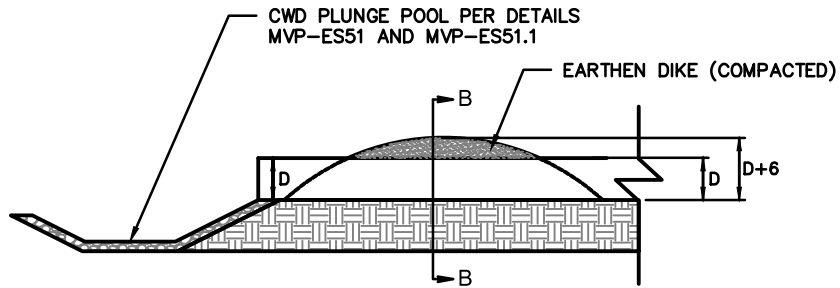
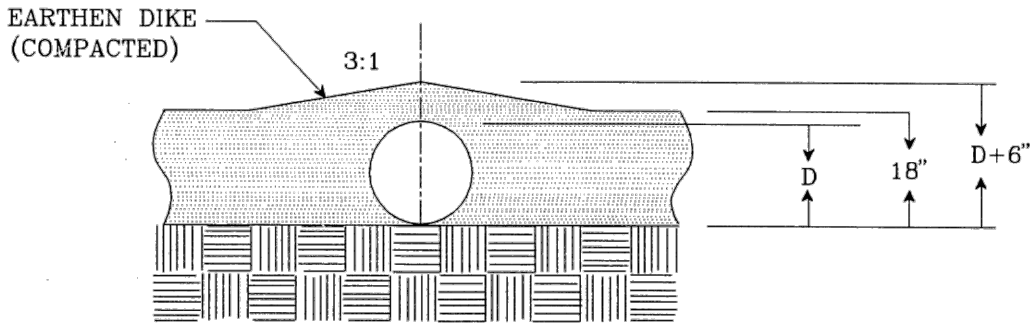


SECTION A - A  
(TEMPORARY LEVEL SPREADER OUTLET)



SECTION A-A  
(PLUNGE POOL OUTLET)



SECTION B - B

CWD PIPE DIAMETER (D)	MIN. BERM HEIGHT	D+6"
12"	18"	18"
18"	18"	24"
24"	18"	30"

DRAWN	DATE 3/17/20
CHECKED	DATE 3/17/20
APP'D	DATE 3/17/20
SCALE N.T.S.	SHEET 1 OF 1
JOB NO.	
PROJECT ID:	
MVP - VA PORTION	



DESIGN ENGINEERING

**ENVIRONMENTAL DETAIL**

CLEAN WATER DIVERSION OUTLET  
SEDIMENT CONTROL

DRAWING NO.	REV.
MVP-ES67.1	0