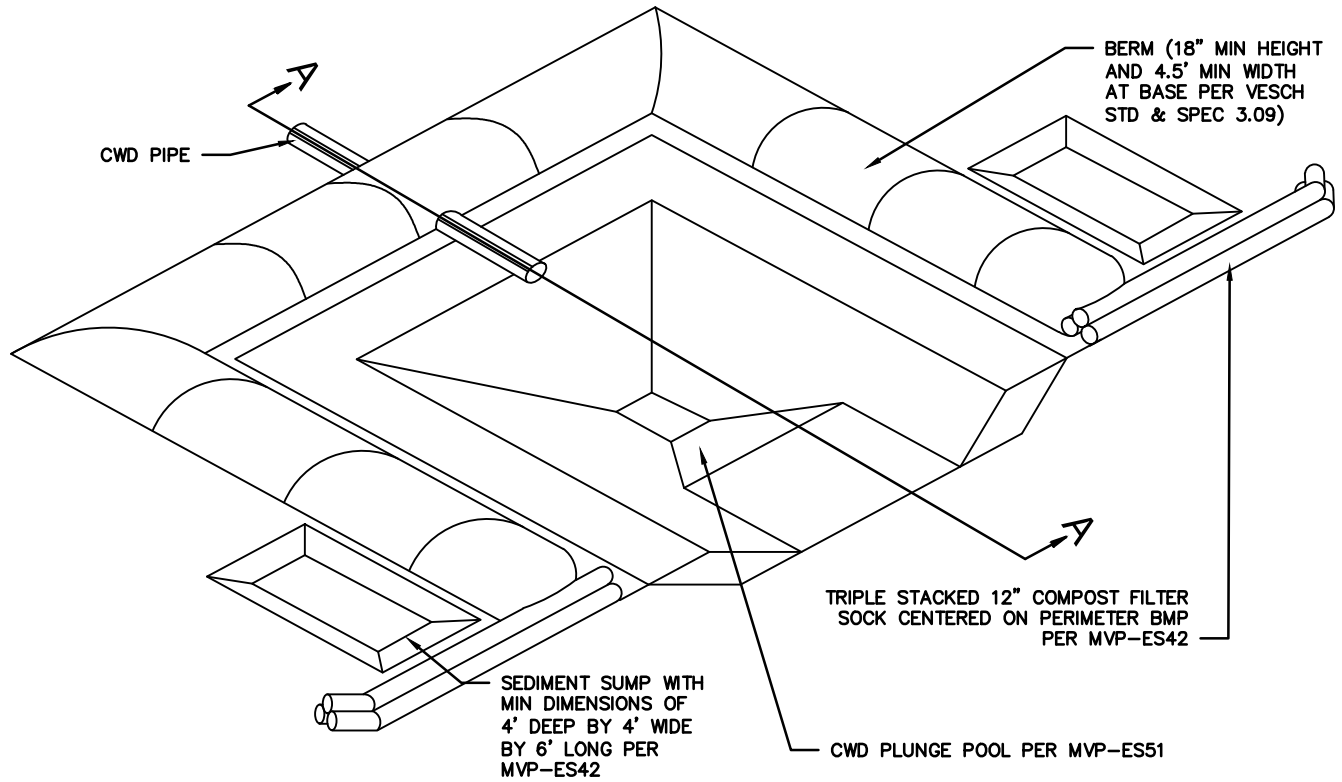


TEMPORARY LEVEL SPREADER OUTLET SEDIMENT CONTROL



PLUNGE POOL OUTLET SEDIMENT CONTROL

DRAWN	DATE 3/17/20
CHECKED	DATE 3/17/20
APP'D	DATE 3/17/20
SCALE N.T.S.	SHEET 1 OF 1
JOB NO.	
PROJECT ID:	
MVP - VA PORTION	



Mountain Valley
PIPELINE
DESIGN ENGINEERING

ENVIRONMENTAL DETAIL	
CLEAN WATER DIVERSION OUTLET SEDIMENT CONTROL	
DRAWING NO.	REV.
MVP-ES67	0