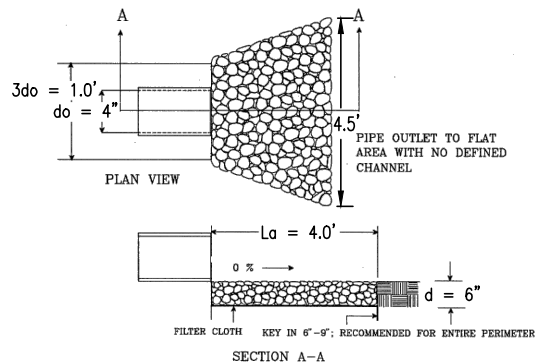
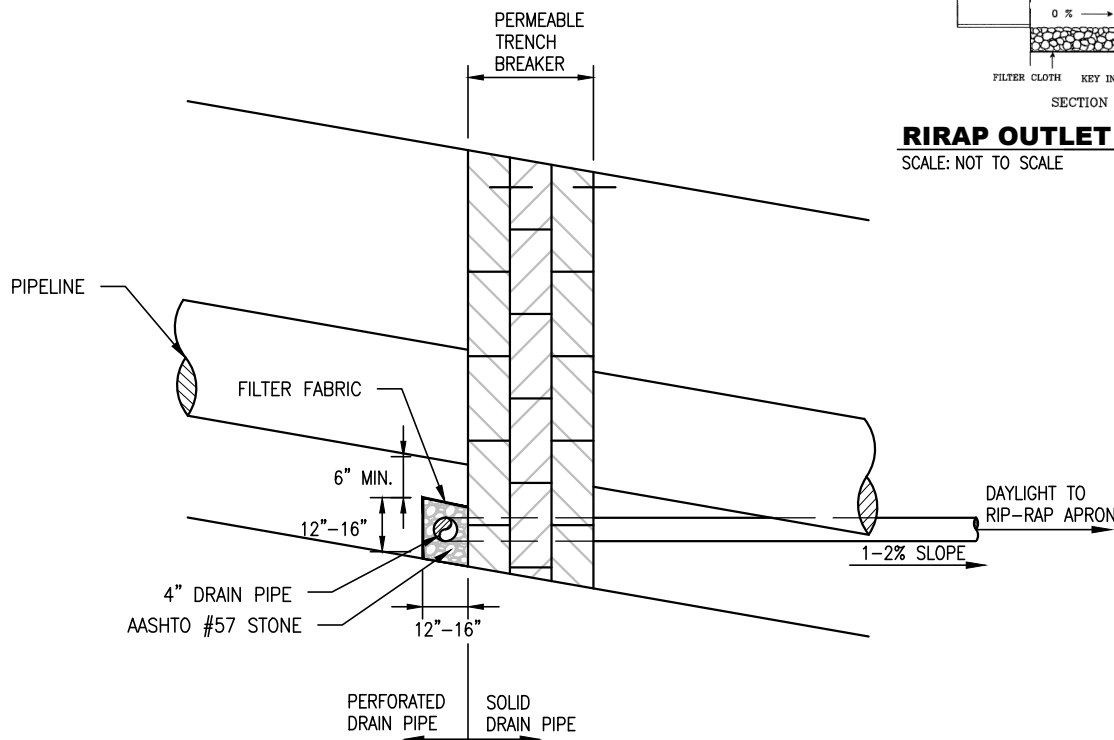


PLAN
SCALE: NOT TO SCALE



RIRAP OUTLET PROTECTION
SCALE: NOT TO SCALE



SECTION A-A
SCALE: NOT TO SCALE

DRAWN	JK	DATE	06/30/2021
CHECKED	RE	DATE	06/30/2021
APP'D	DW	DATE	06/30/2021
SCALE	N.T.S.	SHEET	1 OF 1

JOB NO.
PROJECT ID:
MVP - VA PORTION



Mountain Valley
PIPELINE
DESIGN ENGINEERING

TYPICAL CONSTRUCTION DETAIL

TRENCH BREAKER DAYLIGHT DRAIN

DRAWING NO.	REV.
MVP-35	2

Plotted by: Rickabough, Greg on: June 30, 2021 - 10:21 AM