

WATER BAR END TREATMENT
PERPENDICULAR TO SLOPE EXAMPLE
NOT TO SCALE

DATE: 1/22/18

SHEET 1 OF 5

50' PERMANENT
RIGHT-OF-WAY

WATER BAR SPACING PER TABLE
ON TYPICAL DETAIL MVP-17.2

125' TEMPORARY RIGHT-OF-WAY

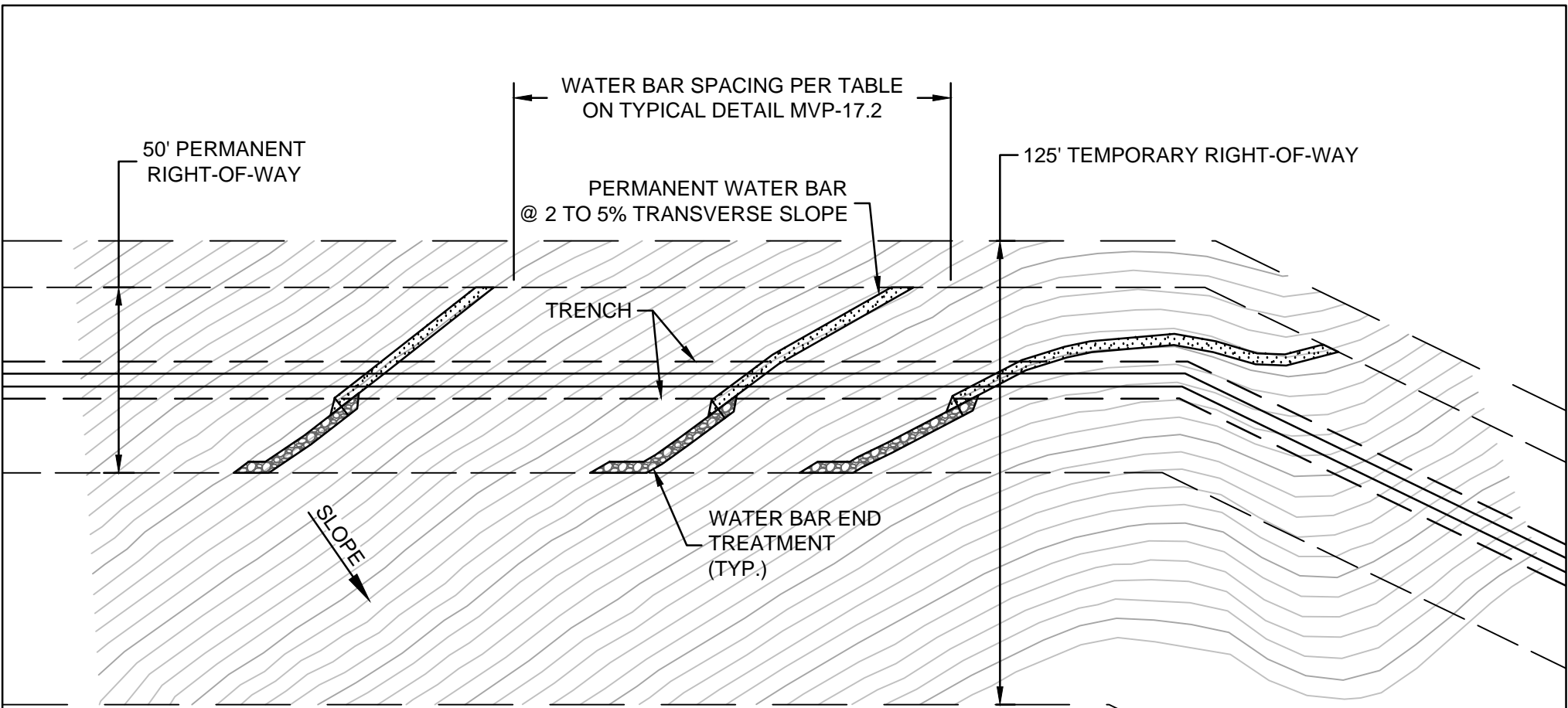
PERMANENT WATER BAR
@ 2 TO 5% TRANSVERSE SLOPE

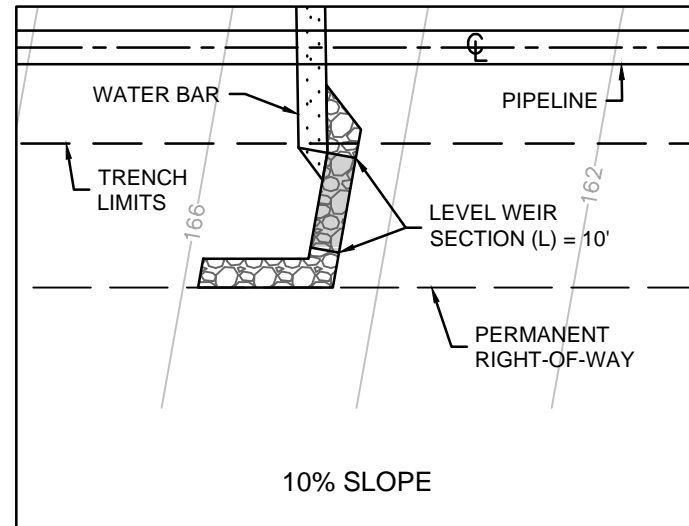
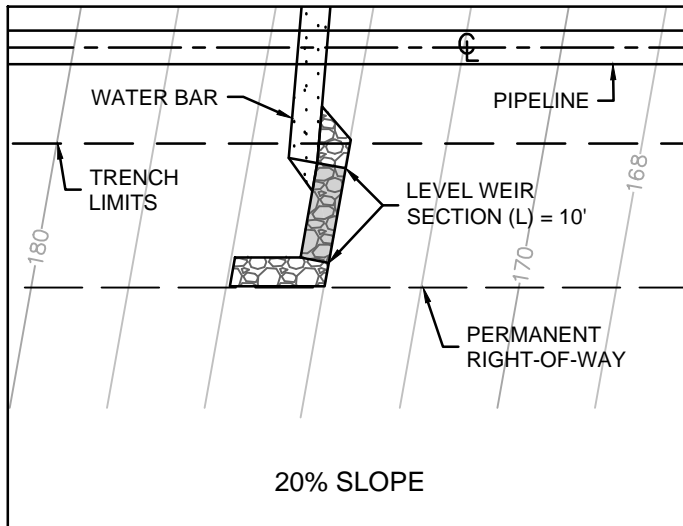
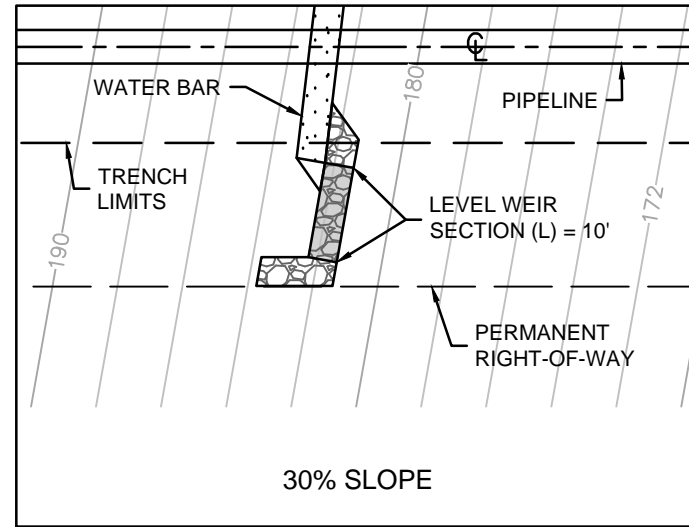
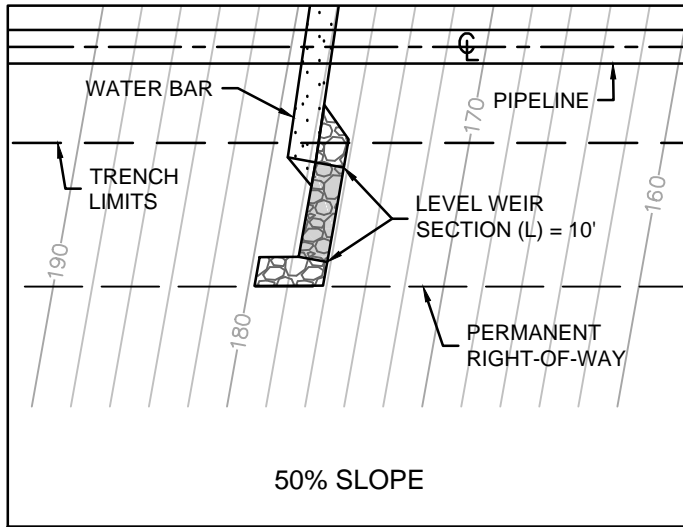
TRENCH

SLOPE

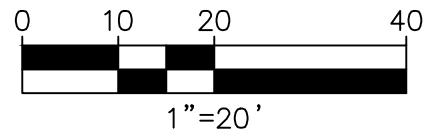
WATER BAR END
TREATMENT
(TYP.)

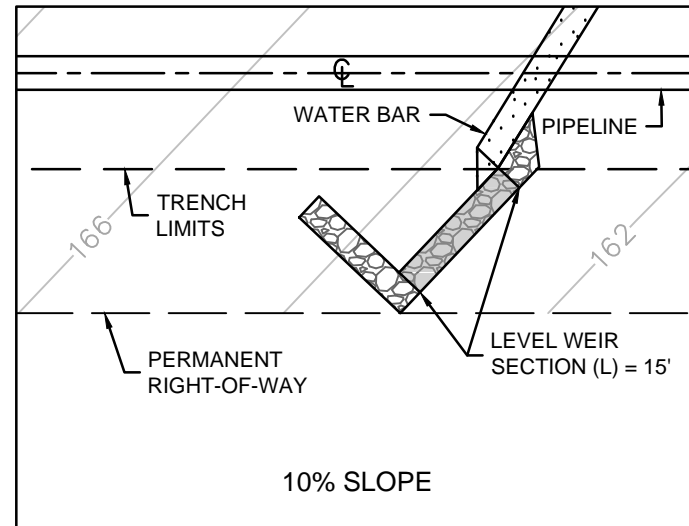
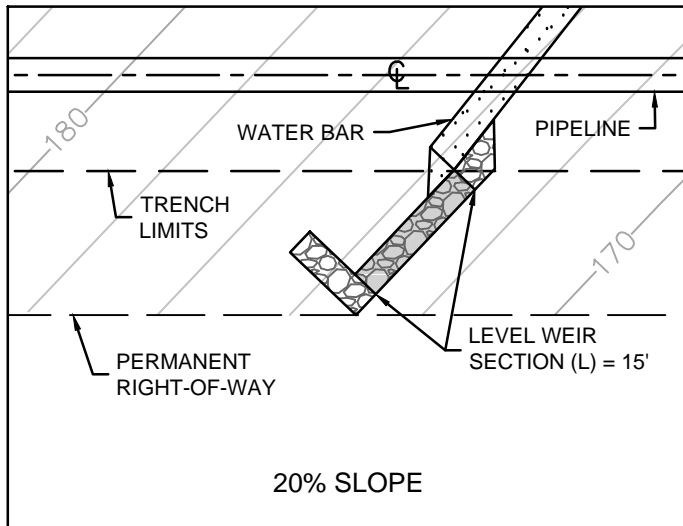
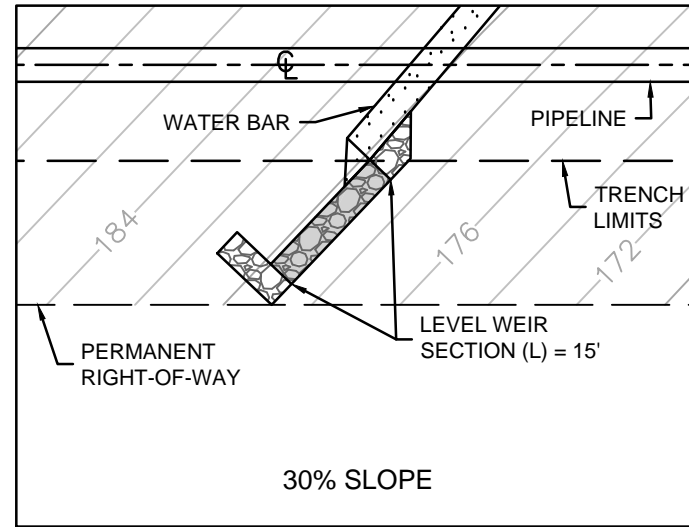
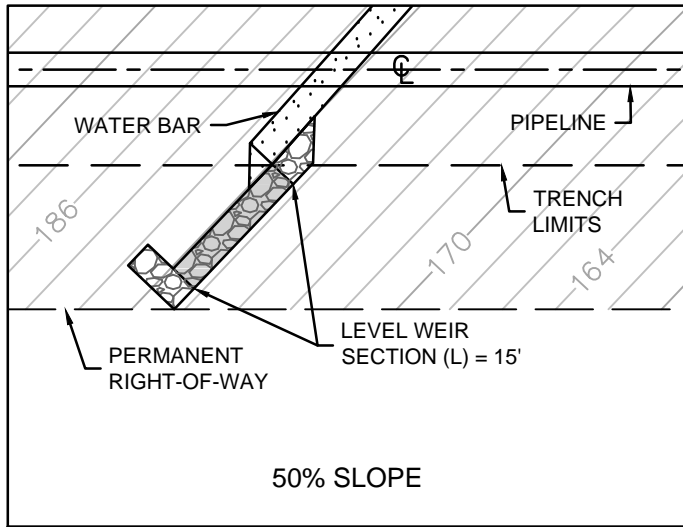
WATER BAR END TREATMENT
CROSS SLOPE EXAMPLE
NOT TO SCALE



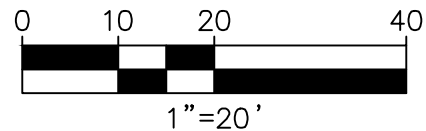


**DETAILED EXAMPLES -
PERPENDICULAR TO
SLOPE CONDITION**



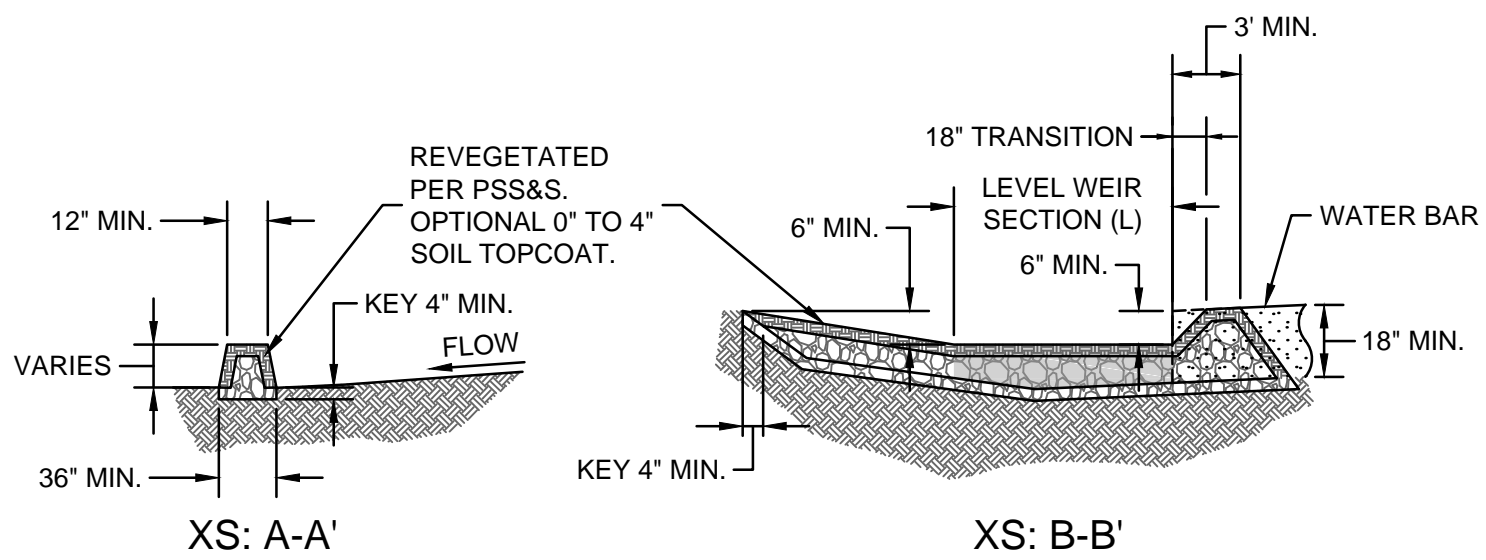
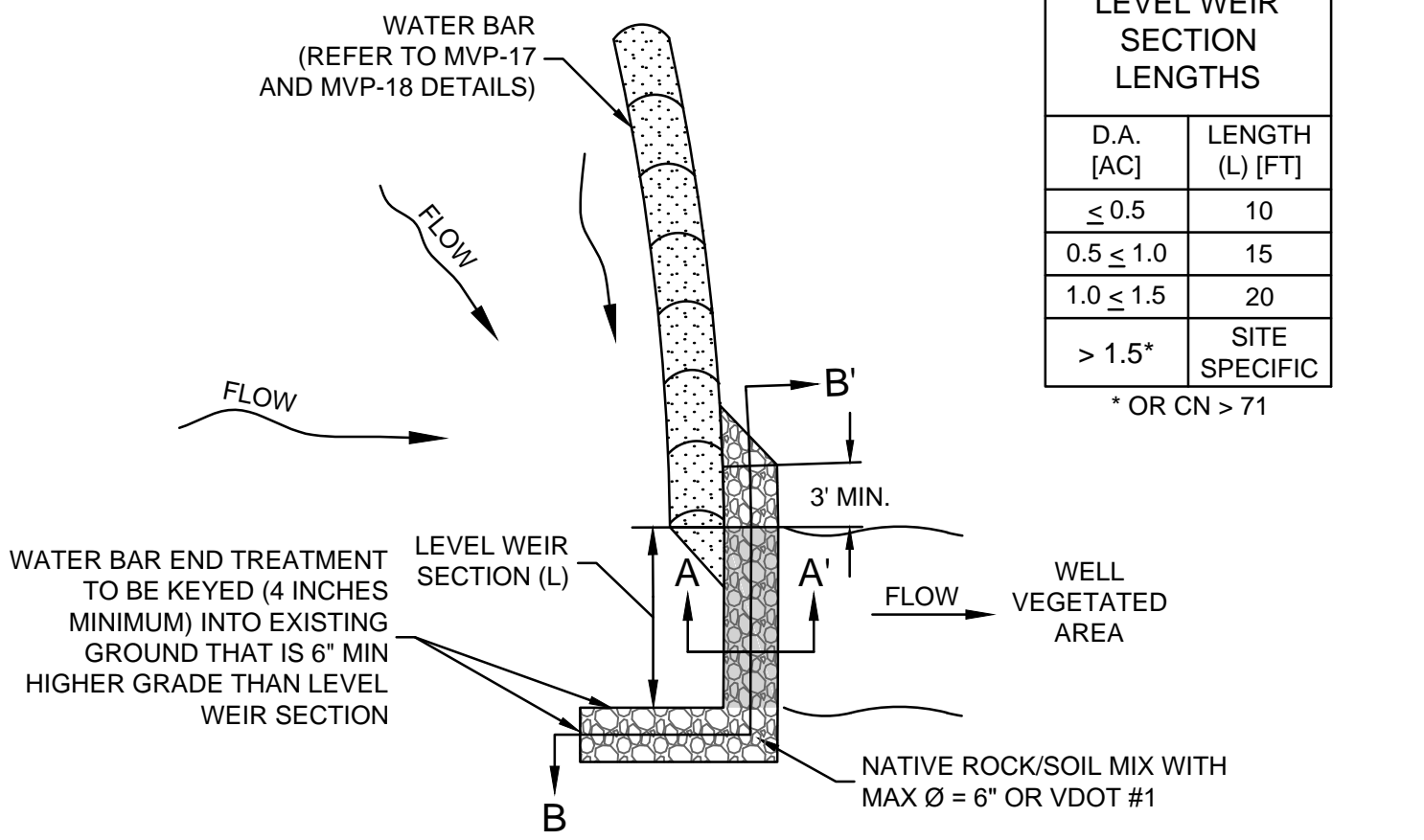


**DETAILED EXAMPLES -
CROSS SLOPE
CONDITION**



| LEVEL WEIR SECTION LENGTHS | |
|----------------------------|-----------------|
| D.A. [AC] | LENGTH (L) [FT] |
| ≤ 0.5 | 10 |
| $0.5 \leq 1.0$ | 15 |
| $1.0 \leq 1.5$ | 20 |
| $> 1.5^*$ | SITE SPECIFIC |

* OR CN > 71



WATER BAR
END TREATMENT DETAIL
 NOT TO SCALE